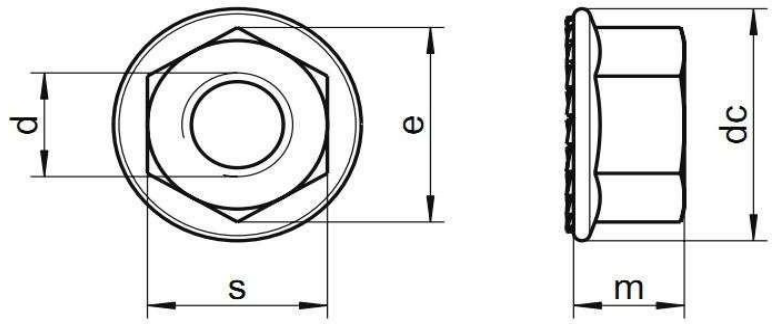




W7ES4

AISI 316



DIN 6923 FLANGE NUT

Note: Flange may be plain or Serrated

Quote the item code given below with your order/enquiries.

Dimensions in mm

Nominal Size(d)	Item Code	Across Corners	Width Across flat		Flange Diameter	Thickness (max)
Thread Size	PART NUMBER	e min	s max	s min	dc max	m
M3x0.5	W7ES403000	6.01	5.5	5.32	8.00	3.70
M4x0.7	W7ES404000	7.66	7.0	6.78	10.00	4.65
M5x0.8	W7ES405000	8.79	8.0	7.78	11.80	5.00
M6x1.0	W7ES406000	11.05	10.0	9.78	14.20	6.00
M8x1.25	W7ES408000	14.38	13.0	12.73	17.90	8.00
M10x1.5	W7ES410000	16.64	15.0	14.73	21.80	10.00
M12x1.75	W7ES412000	20.03	18.0	17.73	26.00	12.00
M14x2.0	W7ES414000	23.36	21.0	20.67	29.90	15.30
M16x2.0	W7ES416000	26.75	24.0	23.67	34.50	15.30
M20x2.5	W7ES420000	32.95	30.0	29.67	42.80	15.30

Sizes in BROWN are non-preferred. Availability is limited and MOQ is higher.

Data is strictly informative

Note: All Austenitic Stainless Steel Fasteners may exhibit some magnetic properties due to the manufacturing process.

Refer: ISO 3506-2 Annex F