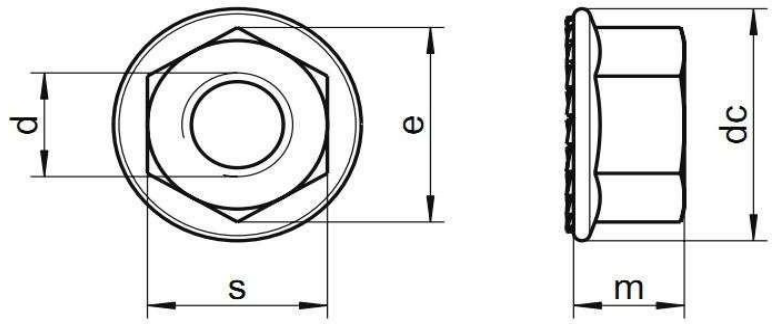




W7ES2

AISI 304



DIN 6923 FLANGE NUT

Note: Flange may be plain or Serrated

Quote the item code given below with your order/enquiries.

Dimensions in mm

Nominal Size(d)	Item Code	Across Corners	Width Across flat		Flange Diameter	Thickness (max)
Thread Size	Part Number	e min	s max	s min	dc max	m
M3x0.5	W7ES203000	6.01	5.5	5.32	8.00	3.70
M4x0.7	W7ES204000	7.66	7.0	6.78	10.00	4.65
M5x0.8	W7ES205000	8.79	8.0	7.78	11.80	5.00
M6x1.0	W7ES206000	11.05	10.0	9.78	14.20	6.00
M8x1.25	W7ES208000	14.38	13.0	12.73	17.90	8.00
M10x1.5	W7ES210000	16.64	15.0	14.73	21.80	10.00
M12x1.75	W7ES212000	20.03	18.0	17.73	26.00	12.00
M14x2.0	W7ES214000	23.36	21.0	20.67	29.90	15.30
M16x2.0	W7ES216000	26.75	24.0	23.67	34.50	15.30
M20x2.5	W7ES220000	32.95	30.0	29.67	42.80	15.30

Sizes in BROWN are non-preferred. Availability is limited and MOQ is higher.

Data is strictly informative