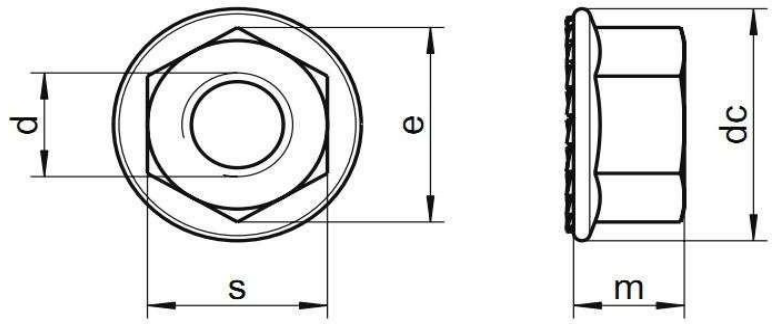




W7ESMY

MS-ZNY



## DIN 6923 FLANGE NUT

Note: Flange may be plain or Serrated

Quote the item code given below with your order/enquiries.

Dimensions in mm

Nominal Size(d)	Item Code	Across Corners	Width Across flat		Flange Diameter	Thickness (max)
Thread Size	PART NUMBER	e min	s max	s min	dc max	m
M3x0.5	W7ESMY03000	6.01	5.5	5.32	8.00	3.70
M4x0.7	W7ESMY04000	7.66	7.0	6.78	10.00	4.65
M5x0.8	W7ESMY05000	8.79	8.0	7.78	11.80	5.00
M6x1.0	W7ESMY06000	11.05	10.0	9.78	14.20	6.00
M8x1.25	W7ESMY08000	14.38	13.0	12.73	17.90	8.00
M10x1.5	W7ESMY10000	16.64	15.0	14.73	21.80	10.00
M12x1.75	W7ESMY12000	20.03	18.0	17.73	26.00	12.00
M14x2.0	W7ESMY14000	23.36	21.0	20.67	29.90	15.30
M16x2.0	W7ESMY16000	26.75	24.0	23.67	34.50	15.30
M20x2.5	W7ESMY20000	32.95	30.0	29.67	42.80	15.30

Sizes in BROWN are non-preferred. Availability is limited and MOQ is higher.

Data is strictly informative

**Note:** All Austenitic Stainless Steel Fasteners may exhibit some magnetic properties due to the manufacturing process.

Refer: ISO 3506-2 Annex F