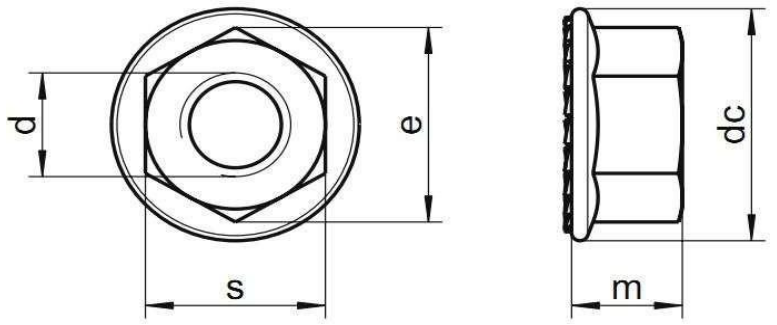




**W7ESM**  
**MS-ZN**



**DIN 6923 FLANGE NUT**

Note: Flange may be plain or Serrated

Quote the item code given below with your order/enquiries.

Dimensions in mm

Nominal Size(d)	Item Code	Across Corners	Width Across flat		Flange Diameter	Thickness (max)
Thread Size	PART NUMBER	e min	s max	s min	dc max	m
M3x0.5	W7ESM03000	6.01	5.5	5.32	8.00	3.70
M4x0.7	W7ESM04000	7.66	7.0	6.78	10.00	4.65
M5x0.8	W7ESM05000	8.79	8.0	7.78	11.80	5.00
M6x1.0	W7ESM06000	11.05	10.0	9.78	14.20	6.00
M8x1.25	W7ESM08000	14.38	13.0	12.73	17.90	8.00
M10x1.5	W7ESM10000	16.64	15.0	14.73	21.80	10.00
M12x1.75	W7ESM12000	20.03	18.0	17.73	26.00	12.00
M14x2.0	W7ESM14000	23.36	21.0	20.67	29.90	15.30
M16x2.0	W7ESM16000	26.75	24.0	23.67	34.50	15.30
M20x2.5	W7ESM20000	32.95	30.0	29.67	42.80	15.30

Sizes in BROWN are non-preferred. Availability is limited and MOQ is higher.

Data is strictly informative

Note: All Austenitic Stainless Steel Fasteners may exhibit some magnetic properties due to the manufacturing process.

Refer: ISO 3506-2 Annex F