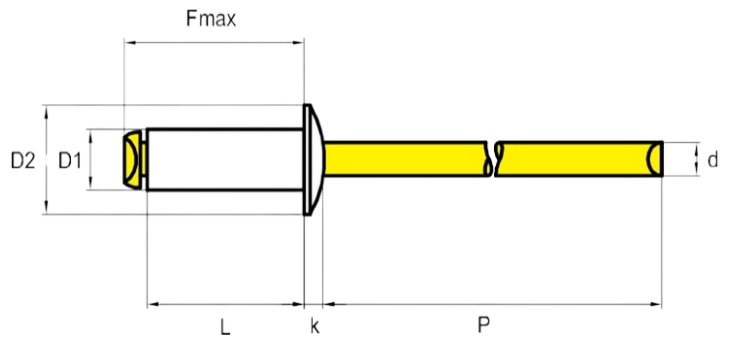




# WBRLD2

Rivet Body: Aluminium Al-Mg 2.5/ Al-Mg 3.5

Mandrel: Steel Zinc Plated



Coloured Blind Rivet Dome Head (~ DIN EN ISO 15977)

RAL 9010 White

Dimensions in mm

Rivet Size	Hole Size	Shear	Tensile	d	D1	L Tolerance	k	D2	P
$\emptyset$				Stem Dia	Rivet Dia	Rivet Length	Head Thickness	Head Dia	Stem Length
2.4 Al.Mg2.5	2.5 mm	315N	355N	1.45	2.4 +0.08/-0.1	+1.0/-0.2	0.7 +/-0.15	5.0 +0/-0.7	≥ 27.0
3.2 Al.Mg2.5	3.3 mm	760N	980N	1.75	3.2 +0.08/-0.1		0.8 +/-0.15	6.5 + 0 /-0.7	
4.0 Al.Mg3.5	4.1 mm	1200N	1600N	2.10	4.0 +0.08/-0.15		1.0 + /-0.3	8.0 + 0 /-1.0	

Quote the item code given below with your order/enquiries.

Dimensions in mm

	F-Max		Part No
2.4 x 4.0 mm	8.4 mm	0.5-2.0 mm	WBRLD224104
2.4 x 6.0 mm	10.4 mm	2.0-4.0 mm	WBRLD224106
2.4 x 8.0 mm	12.4 mm	4.0-6.0 mm	WBRLD224108
2.4 x 10.0 mm	14.4 mm	6.0-8.0 mm	WBRLD224110
2.4 x 12.0 mm	16.4 mm	8.0-10.0 mm	WBRLD224112
3.2 x 4.0 mm	8.9 mm	0.5-1.5 mm	WBRLD232104
3.2 x 5.0 mm	9.9 mm	1.0-2.5 mm	WBRLD232105
3.2 x 6.0 mm	10.9 mm	1.5-3.0 mm	WBRLD232106
3.2 x 8.0 mm	12.9 mm	3.0-5.0 mm	WBRLD232108
3.2 x 10.0 mm	14.9 mm	5.0-7.0 mm	WBRLD232110
3.2 x 12.0 mm	16.9 mm	7.0-9.0 mm	WBRLD232112
3.2 x 14.0 mm	18.9 mm	9.0-11.0 mm	WBRLD232114
3.2 x 16.0 mm	20.9 mm	11.0-13.0 mm	WBRLD232116
3.2 x 18.0 mm	22.9 mm	13.0-15.0 mm	WBRLD232118
3.2 x 20.0 mm	24.9 mm	15.0-17.0 mm	WBRLD232120
3.2 x 25.0 mm	29.9 mm	17.0-22.0 mm	WBRLD232125

	F-Max		Part No
4.0 x 5.0 mm	9.9 mm	1.5-2.5 mm	WBRLD204105
4.0 x 6.0 mm	10.9 mm	1.5-3.0 mm	WBRLD204106
4.0 x 7.0 mm	11.9 mm	2.0-4.0 mm	WBRLD204107
4.0 x 8.0 mm	12.9 mm	3.0-5.0 mm	WBRLD204108
4.0 x 10.0 mm	14.9 mm	5.0-6.5 mm	WBRLD204110
4.0 x 12.0 mm	16.9 mm	6.5-8.5 mm	WBRLD204112
4.0 x 14.0 mm	18.9 mm	8.5-10.5 mm	WBRLD204114
4.0 x 16.0 mm	20.9 mm	10.5-12.5 mm	WBRLD204116
4.0 x 18.0 mm	22.9 mm	12.5-14.5 mm	WBRLD204118
4.0 x 20.0 mm	24.9 mm	14.5-16.5 mm	WBRLD204120
4.0 x 22.0 mm	26.9 mm	15.5-18.0 mm	WBRLD204122
4.0 x 23.0 mm	27.9 mm	16.5-19.0 mm	WBRLD204123
4.0 x 25.0 mm	29.9 mm	19.0-21.5 mm	WBRLD204125
4.0 x 30.0 mm	34.9 mm	21.5-26.0 mm	WBRLD204130
4.0 x 35.0 mm	39.9 mm	26.0-30.0 mm	WBRLD204135

Sizes in BROWN are non-preferred. Availability is limited and MOQ is higher.

Data is strictly informative

**Note:** All Austenitic Stainless Steel Fasteners may exhibit some magnetic properties due to the manufacturing process.

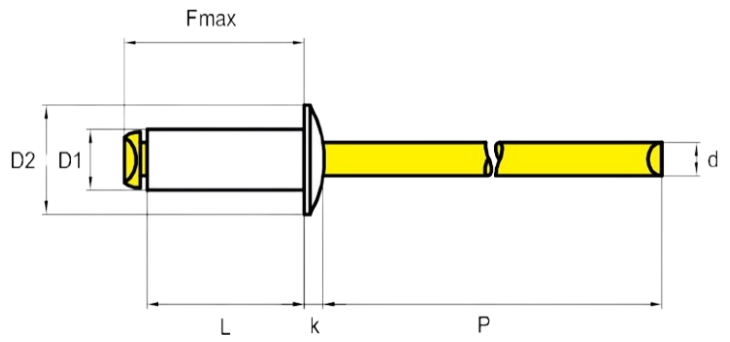
Refer: ISO 3506-2 Annex F



# WBRLD2

Rivet Body: Aluminium Al-Mg 2.5/ Al-Mg 3.5

Mandrel: Steel Zinc Plated



Coloured Blind Rivet Dome Head (~ DIN EN ISO 15977)

RAL 9010 White

Dimensions in mm

Rivet Size	Hole Size	Shear	Tensile	d	D1	L Tolerance	k	D2	P
$\emptyset$				Stem Dia	Rivet Dia	Rivet Length	Head Thickness	Head Dia	Stem Length
4.8 Al.Mg3.5	4.9 mm	1700N L ≥ 30mm 1200N	2250N L ≥ 30mm 1900N	2.70	4.8 + 0.08/-0.15	+1.0/-0.2	1.1 + /-0.3	9.5 + 0 /-1.0	≥ 27.0

	F-Max		Part No
4.8 x 6.0 mm	11.4 mm	1.0-3.0 mm	WBRLD248106
4.8 x 7.0 mm	12.4 mm	2.0-4.0 mm	WBRLD248107
4.8 x 8.0 mm	13.4 mm	3.0-4.5 mm	WBRLD248108
4.8 x 10.0 mm	15.4 mm	4.5-6.0 mm	WBRLD248110
4.8 x 12.0 mm	17.4 mm	6.0-8.0 mm	WBRLD248112
4.8 x 14.0 mm	19.4 mm	8.0-10.0 mm	WBRLD248114
4.8 x 16.0 mm	21.4 mm	10.0-12.0 mm	WBRLD248116
4.8 x 18.0 mm	23.4 mm	12.0-14.0 mm	WBRLD248118
4.8 x 20.0 mm	25.4 mm	14.0-16.0 mm	WBRLD248120
4.8 x 22.0 mm	27.4 mm	16.0-18.0 mm	WBRLD248122

	F-Max		Part No
4.8 x 25.0 mm	30.4 mm	18.0-21.0 mm	WBRLD248125
4.8 x 28.0 mm	33.4 mm	21.0-23.5 mm	WBRLD248128
4.8 x 30.0 mm	35.4 mm	23.0-25.0 mm	WBRLD248130
4.8 x 35.0 mm	40.4 mm	25.0-30.0 mm	WBRLD248135
4.8 x 40.0 mm	45.4 mm	30.0-35.0 mm	WBRLD248140
4.8 x 45.0 mm	50.4 mm	35.0-40.0 mm	WBRLD248145
4.8 x 50.0 mm	55.4 mm	40.0-45.0 mm	WBRLD248150
4.8 x 55.0 mm	60.4 mm	45.0-50.0 mm	WBRLD248155
4.8 x 60.0 mm	65.4 mm	50.0-55.0 mm	WBRLD248160
4.8 x 65.0 mm	70.4 mm	55.0-60.0 mm	WBRLD248165

Sizes in BROWN are non-preferred. Availability is limited and MOQ is higher.

Data is strictly informative

**Note:** All Austenitic Stainless Steel Fasteners may exhibit some magnetic properties due to the manufacturing process.

Refer: ISO 3506-2 Annex F