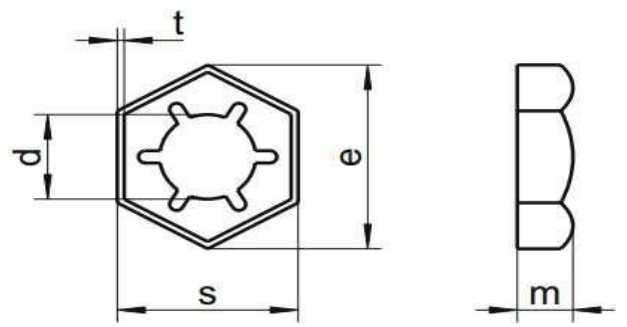




W7FS2

AISI 304



DIN 7967 PAL NUT
Self Locking Counter Nut

Quote the item code given below with your order/enquiries.

Dimensions in mm

Thread Size	Item Code	Inside diameter	Nut Height	Across Flat	Across Corners	thickness	
d	PART NUMBER	d	m	s max	s min	e	t
M4x0.7	W7FS204000	3.50	2.50	7.00	6.64	8.10	0.30
M5x0.8	W7FS205000	4.50	2.50	8.00	7.64	9.20	0.40
M6x1.0	W7FS206000	5.30	3.00	10.00	8.64	11.50	0.40
M8x1.0	W7FS208000	6.90	3.50	13.00	12.57	15.00	0.50
M10x1.5	W7FS210000	8.60	4.00	17.00	16.57	19.60	0.50
M12x1.75	W7FS212000	10.40	4.50	19.00	18.48	21.90	0.60
M14x2.0	W7FS214000	12.00	5.00	22.00	21.16	25.40	0.60
M16x2.0	W7FS216000	14.10	5.00	24.00	23.16	27.70	0.70
M18x2.5	W7FS218000	15.50	5.50	27.00	26.16	31.20	0.70
M20x2.5	W7FS220000	17.60	6.00	30.00	29.16	34.60	0.80
M22x2.5	W7FS222000	19.60	6.00	32.00	33.00	36.90	0.80
M24x3.0	W7FS224000	21.00	7.00	36.00	35.00	41.60	0.90

Sizes in BROWN are non-preferred. Availability is limited and MOQ is higher.

Data is strictly informative

Note: All Austenitic Stainless Steel Fasteners may exhibit some magnetic properties due to the manufacturing process.

Refer: ISO 3506-2 Annex F