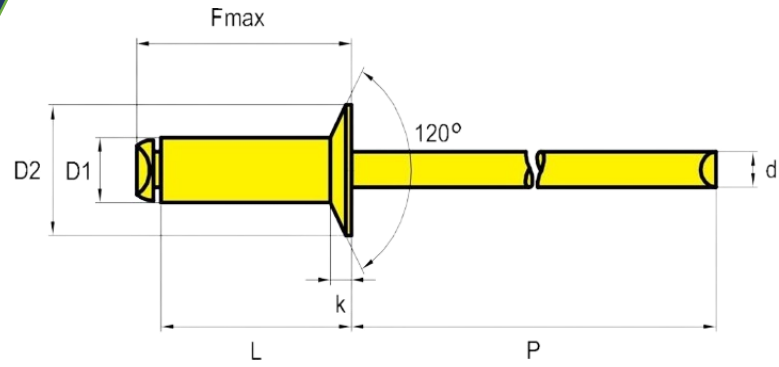




WBRK5

Rivet Body: Steel Zinc Plated

Mandrel: Steel Zinc Plated



Blind Rivets Countersunk 120° (~ DIN EN ISO 15980)

Dimensions in mm

Rivet Size	Hole Size	Tensile	Shear	P	d	D1	D2	Rivet Length	k
\emptyset				Stem Length	Stem Dia	Rivet Dia	Head Dia	L Tolerance	max (ref)
3.2	3.3 mm	1285N	1060N	≥ 27.0	2.00	3.2 +0.08/-0.1	6.0 + 0 /-0.4	+1.0/-0.2	1.3 (1.15)
4.0	4.1 mm	1990N	1550N	≥ 27.0	2.50	4.0 +0.08/-0.15	7.5 + 0 /-0.5	+1.0/-0.2	1.6 (1.45)
4.8	4.9 mm	2920N	2300N	≥ 27.0	2.90	4.8 +0.08/-0.15	9.0 + 0 /-0.5	+1.0/-0.2	2.0 (1.85)

	F-Max		Part No
3.2 x 5.0 mm	10.4 mm	1.0-2.5 mm	WBRK530255
3.2 x 6.0 mm	10.9 mm	1.5-3.0 mm	WBRK530206
3.2 x 8.0 mm	12.9 mm	3.0-5.0 mm	WBRK530208
3.2 x 10.0 mm	14.9 mm	5.0-7.0 mm	WBRK530210
3.2 x 12.0 mm	16.9 mm	7.0-9.0 mm	WBRK530212
3.2 x 14.0 mm	18.9 mm	8.0-11.0 mm	WBRK530214
4.0 x 6.0 mm	10.9 mm	1.5-2.5 mm	WBRK504006
4.0 x 8.0 mm	12.9 mm	2.5-4.5 mm	WBRK504008
4.0 x 10.0 mm	14.9 mm	4.5-6.5 mm	WBRK504010
4.0 x 12.0 mm	16.9 mm	6.5-8.5 mm	WBRK504012
4.0 x 14.0 mm	18.9 mm	8.5-10.5 mm	WBRK504014
4.0 x 16.0 mm	20.9 mm	10.5-12.5 mm	WBRK504016
4.0 x 18.0 mm	22.9 mm	12.5-14.5 mm	WBRK504018
4.0 x 20.0 mm	24.9 mm	14.5-16.0 mm	WBRK504020
4.0 x 25.0 mm	29.9 mm	15.0-20.0 mm	WBRK504025

	Part No		F-Max
4.8 x 8.0 mm	WBRK540808	1.5-4.0 mm	13.4 mm
4.8 x 10.0 mm	WBRK540810	3.5-6.0 mm	15.4 mm
4.8 x 12.0 mm	WBRK540812	6.0-8.0 mm	17.4 mm
4.8 x 14.0 mm	WBRK540814	8.0-10.0 mm	19.4 mm
4.8 x 16.0 mm	WBRK540816	10.0-11.5 mm	21.4 mm
4.8 x 18.0 mm	WBRK540818	11.5-13.5 mm	23.4 mm
4.8 x 20.0 mm	WBRK540820	13.5-15.5 mm	25.4 mm
4.8 x 22.0 mm	WBRK540822	15.5-17.5 mm	27.4 mm
4.8 x 25.0 mm	WBRK540825	17.5-20.5 mm	30.4 mm
4.8 x 30.0 mm	WBRK540830	20.0-25.0 mm	35.4 mm
4.8 x 35.0 mm	WBRK540835	25.0-30.0 mm	40.4 mm
4.8 x 40.0 mm	WBRK540840	30.0-35.0 mm	45.4 mm

Sizes in BROWN are non-preferred. Availability is limited and MOQ is higher.

Data is strictly informative

Note: All Austenitic Stainless Steel Fasteners may exhibit some magnetic properties due to the manufacturing process.

Refer: ISO 3506-2 Annex F