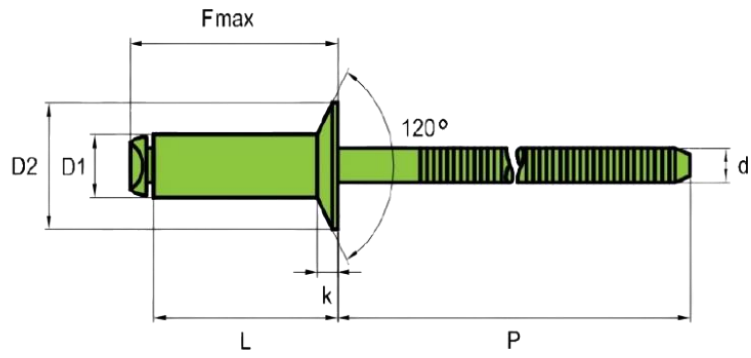




# WBRK4

Rivet Body: Stainless Steel AISI 304

Mandrel: Stainless Steel AISI 304



Blind Rivet (Countersunk Head with Grooved Mandrel)

Dimensions in mm

Rivet Size	Hole Size	Tensile	Shear	d	D1	Rivet Length L	D2	P
$\emptyset$				Stem Dia	Rivet Dia	Tolerance	Head Dia	Stem Length
3.2	3.3 mm	2500N	1800N	1.90	3.2 +0.08/-0.1	+1.0/-0.2	6.0 +/-0.5	≥ 27.0
4.0	4.1 mm	3500N	2700N	2.50	4.0 +0.08/-0.15	+1.0/-0.2	7.5 +/-0.5	≥ 27.0
4.8	4.9 mm	5000N	4000N	3.00	4.8 +0.08/-0.15	+1.0/-0.2	9.0 +/-0.6	≥ 27.0

	F-Max		Part No
3.2 x 6.0 mm	10.9 mm	1.0-3.0 mm	WBRK430206
3.2 x 8.0 mm	12.9 mm	3.0-5.0 mm	WBRK430208
3.2 x 10.0 mm	14.9 mm	5.0-7.0 mm	WBRK430210
3.2 x 12.0 mm	16.9 mm	7.0-9.0 mm	WBRK430212
4.0 x 6.0 mm	10.9 mm	1.0-2.5 mm	WBRK404006
4.0 x 8.0 mm	12.9 mm	2.5-4.5 mm	WBRK404008
4.0 x 10.0 mm	14.9 mm	4.5-6.5 mm	WBRK404010
4.0 x 12.0 mm	16.9 mm	6.5-8.5 mm	WBRK404012
4.0 x 14.0 mm	18.9 mm	8.5-10.5mm	WBRK404014
4.0 x 16.0 mm	20.9 mm	9.5-12.0 mm	WBRK404016
4.0 x 18.0 mm	22.9 mm	12.0-14.0 mm	WBRK404018

	Part No		F-Max
4.0 x 20.0 mm	WBRK4404020	14.0-16.0 mm	24.9 mm
4.8 x 8.0 mm	WBRK440808	1.5-4.0 mm	13.4 mm
4.8 x 10.0 mm	WBRK440810	4.0-6.0 mm	15.4 mm
4.8 x 12.0 mm	WBRK440812	6.0-8.0 mm	17.4 mm
4.8 x 14.0 mm	WBRK440814	8.0-9.5 mm	19.4 mm
4.8 x 16.0 mm	WBRK440816	9.5-11.0 mm	21.4 mm
4.8 x 18.0 mm	WBRK440818	11.0-13.0 mm	23.4 mm
4.8 x 20.0 mm	WBRK440820	12.0-15.0 mm	25.4 mm
4.8 x 25.0 mm	WBRK440825	15.0-17.0 mm	30.4 mm
4.8 x 30.0 mm	WBRK440830	17.0-19.0 mm	35.4 mm

Sizes in BROWN are non-preferred. Availability is limited and MOQ is higher.

Data is strictly informative

Note: All Austenitic Stainless Steel Fasteners may exhibit some magnetic properties due to the manufacturing process.

Refer: ISO 3506-2 Annex F