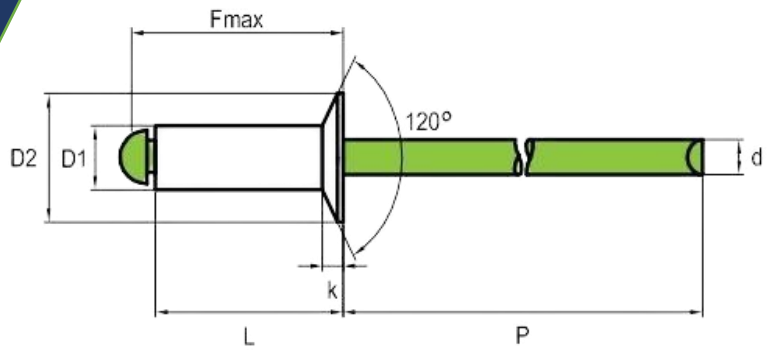




WBRK1

Rivet Body: Aluminium Al-Mg 5.0

Mandrel: Stainless Steel A2 (AISI 304)



Blind Rivet Countersunk 120° (~ DIN EN ISO 15978)

Rivet Size	Hole Size	Tensile	Shear	D1	Rivet Length L	D2	d	P
Ø				Rivet Dia	Tolerance	Head Dia	Stem Dia	Stem Length
3.2	3.3 mm	980N	760N	3.2 +0.08/-0.1	+1.0/-0.2	6.0 + 0 /-0.4	1.95	≥ 27.0
4.0	4.1 mm	1600N	1200N	4.0 +0.08/-0.15	+1.0/-0.2	7.5 + 0 /-0.5	2.10	≥ 27.0
4.8	4.9 mm	2250N	1700N	4.8 +0.08/-0.15	+1.0/-0.2	9.0 + 0 /-0.5	2.70	≥ 27.0

Quote the item code given below with your order/enquiries.

Dimensions in mm

	F-Max		Part No
3.2 x 6.0 mm	10.9 mm	1.5-3.5 mm	WBRK130206
3.2 x 8.0 mm	12.9 mm	3.5-5.0 mm	WBRK130208
3.2 x 10.0 mm	14.9 mm	5.0-7.0 mm	WBRK130210
3.2 x 12.0 mm	16.9 mm	7.0-9.0 mm	WBRK130212
3.2 x 14.0 mm	18.9 mm	9.0-10.5 mm	WBRK130214
3.2 x 16.0 mm	20.9 mm	10.5-13.0 mm	WBRK130216
4.0 x 6.0 mm	10.9 mm	1.5-3.0 mm	WBRK104006
4.0 x 8.0 mm	12.9 mm	3.0-5.0 mm	WBRK104008
4.0 x 10.0 mm	14.9 mm	5.0-6.5 mm	WBRK104010
4.0 x 12.0 mm	16.9 mm	6.5-8.5 mm	WBRK104012
4.0 x 14.0 mm	18.9 mm	8.5-10.5 mm	WBRK104014
4.0 X 16.0 mm	20.9 mm	10.5-12.5 mm	WBRK104016

	Part No		F-Max
4.0 x 18.0 mm	WBRK104018	12.5-14.5 mm	22.9 mm
4.0 x 20.0 mm	WBRK104020	14.5-16.5 mm	24.9 mm
4.8 x 8.0 mm	WBRK140808	2.0-4.5 mm	13.4 mm
4.8 x 10.0 mm	WBRK140810	4.5-6.0 mm	15.4 mm
4.8 x 12.0 mm	WBRK140812	6.0-8.0 mm	17.4 mm
4.8 x 14.0 mm	WBRK140814	8.0-10.0 mm	19.4 mm
4.8 x 16.0 mm	WBRK140816	10.0-12.0 mm	21.4 mm
4.8 x 18.0 mm	WBRK140818	12.0-14.0 mm	23.4 mm
4.8 x 20.0 mm	WBRK140820	14.0-16.0 mm	25.4 mm
4.8 x 22.0 mm	WBRK140822	15.0-17.0 mm	27.4 mm
4.8 x 25.0 mm	WBRK140825	16.0-21.0 mm	30.4 mm
4.8 x 30.0 mm	WBRK140830	21.0-25.0 mm	35.4 mm

Sizes in BROWN are non-preferred. Availability is limited and MOQ is higher.

Data is strictly informative

Note: All Austenitic Stainless Steel Fasteners may exhibit some magnetic properties due to the manufacturing process.

Refer: ISO 3506-2 Annex F